



# EXPOSED

CEILINGS CELEBRATED

**USAI**<sup>®</sup>  
Lighting



**BeveLED® 2.2 Cylinder**  
 Project: Cemex | Location: Houston, TX  
 Architect: Inventure Design | Photograph: G. Lyon Photography



**NanoLED® Cylinder**  
 Project: LiveRamp | Location: San Francisco, CA  
 Interior Design: Studio O+A | Photograph: Emily Hogopian

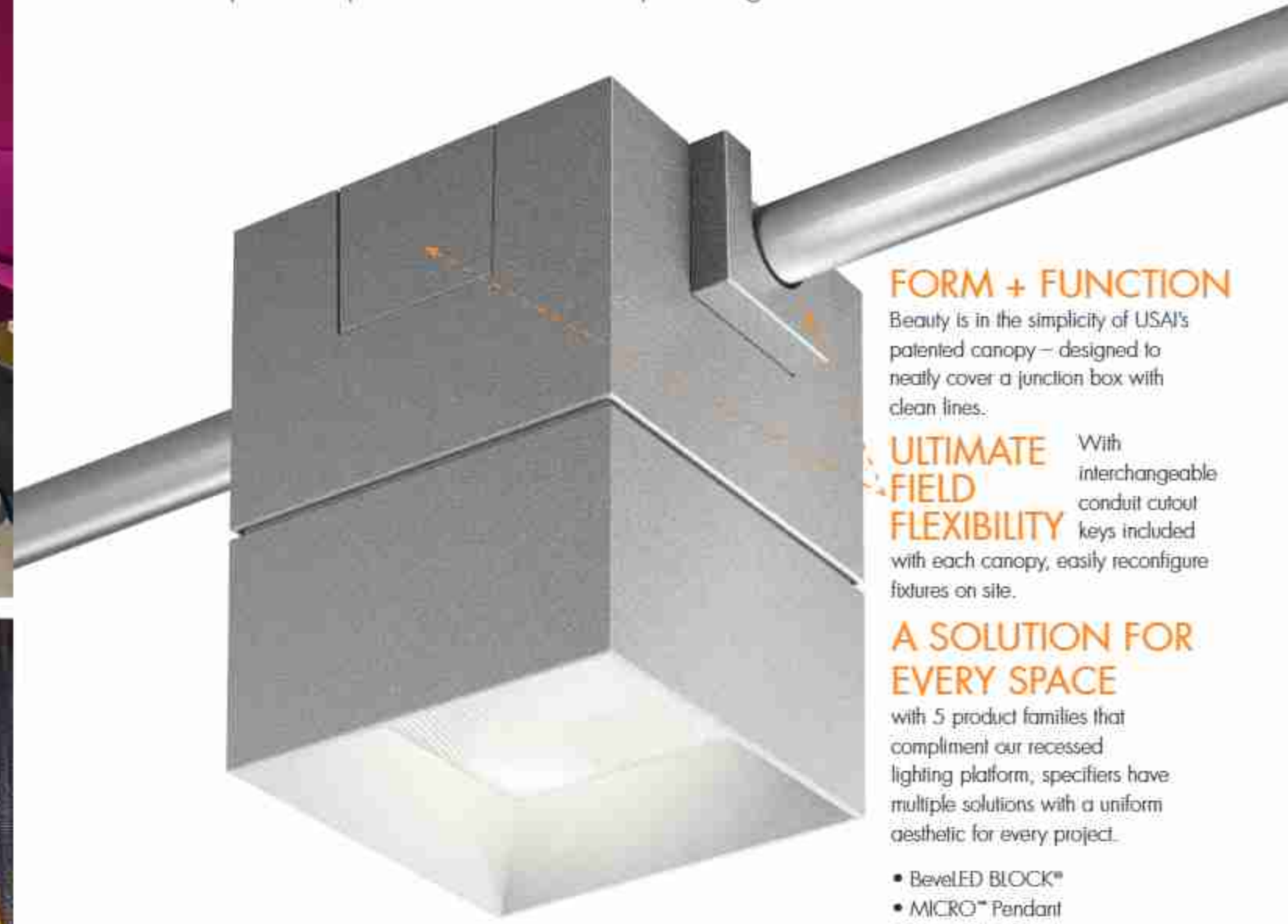


**BeveLED BLOCK®**  
 Project: M+Q Digital | Location: New York, NY  
 Architect: Sydness Architects  
 Photograph: Jon Nissenbaum

# EXPOSED.OPEN.

## USAI Celebrates (Un)Finished Ceilings

Reimagining our technology, engineering and design into a complete platform of products and solutions for Open Ceilings.



### FORM + FUNCTION

Beauty is in the simplicity of USAI's patented canopy – designed to neatly cover a junction box with clean lines.

**ULTIMATE FIELD FLEXIBILITY** With interchangeable conduit cutout keys included with each canopy, easily reconfigure fixtures on site.

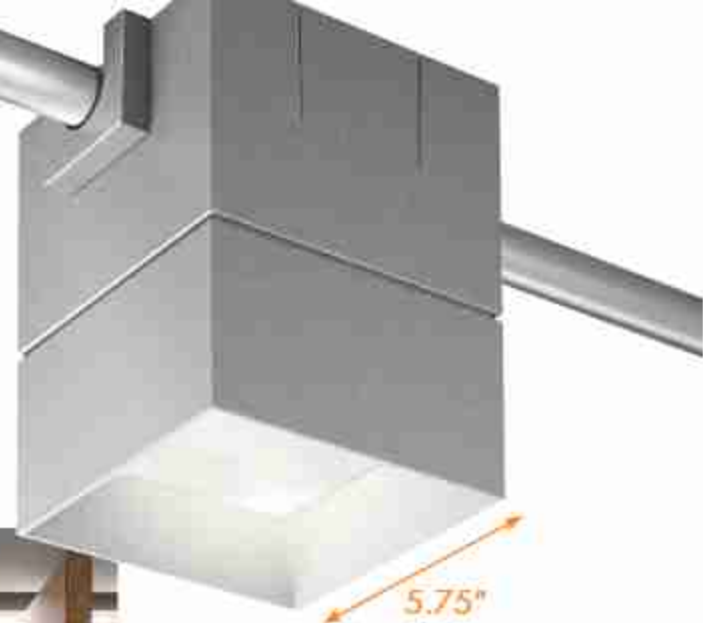
### A SOLUTION FOR EVERY SPACE

with 5 product families that compliment our recessed lighting platform, specifiers have multiple solutions with a uniform aesthetic for every project.

- BeveLED BLOCK®
- MICRO™ Pendant
- NanoLED® Cylinders
- BeveLED Mini™ Cylinders
- BeveLED® 2.2 Cylinders

## BeveLED BLOCK®

BeveLED Block is specifically designed for use with surface-mounted conduit and junction boxes on ceilings where recessed lighting is not possible. Perfect for lofts, offices, and open architectural spaces.



BeveLED BLOCK®  
Surface Mount  
Conduit Cutout  
Downlight



BeveLED BLOCK®  
Project: General Growth Properties | Location: Chicago, IL  
Lighting Designer: Gwen Grossman Lighting Design | Architect: ARCHIDEAS  
Photograph: Eric Laignel

### BEVELED BLOCK® FAMILY INFORMATION

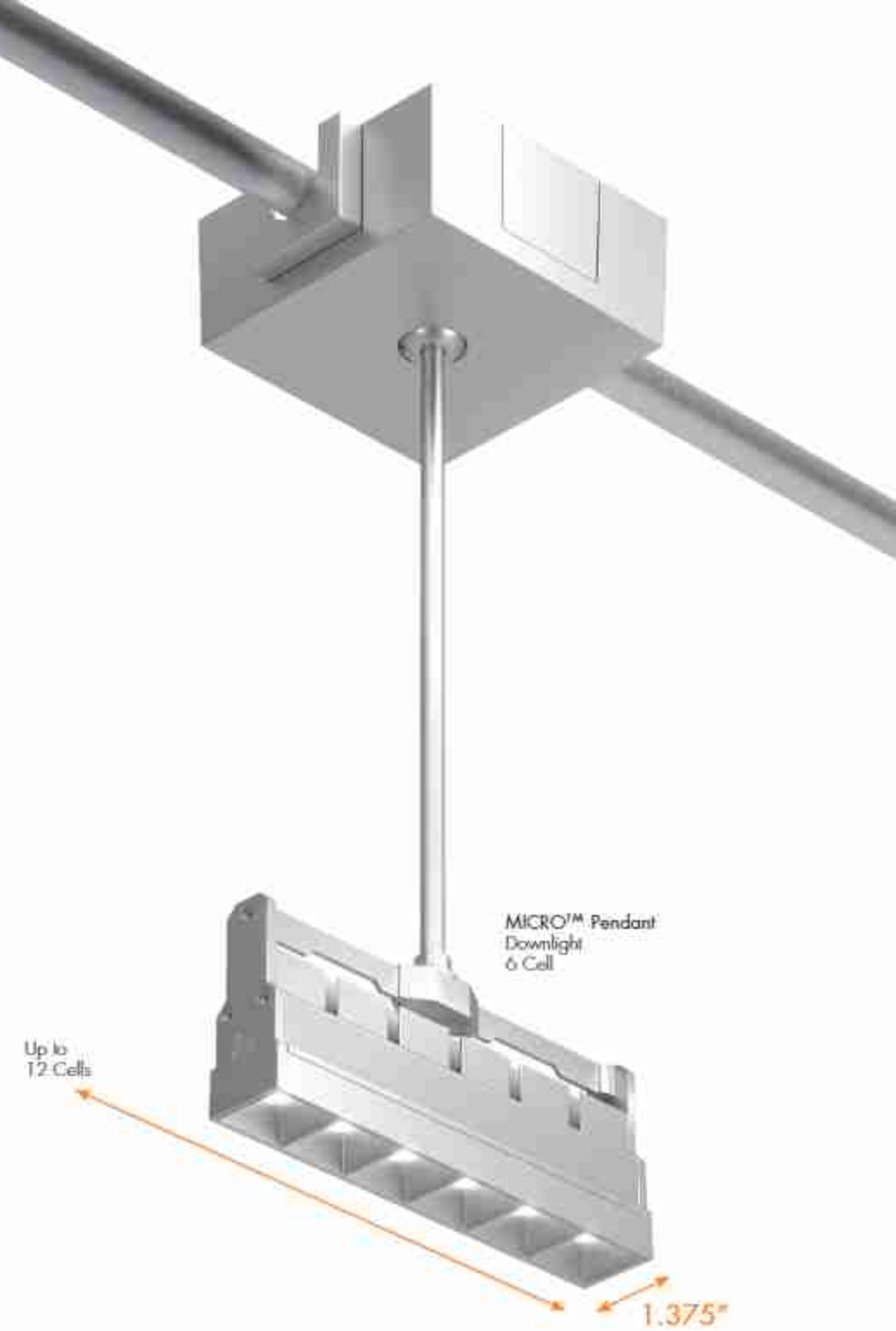
COLOR TECHNOLOGY	FUNCTION	SOURCE LUMENS	DELIVERED LUMENS	WATTAGE
<ul style="list-style-type: none"> <li>CLASSIC WHITE®</li> <li>WARM GLOW® DIMMING*</li> </ul>	<ul style="list-style-type: none"> <li>DOWNLIGHT</li> <li>WALL WASH</li> </ul>	1150 - 2400	850 - 2050	9W - 24W

\*Warm Glow Dimming available in downlight configurations only.

## MICRO™ Pendant

USA's smallest LED downlight form factor is now available in pendant mount configurations. Our stem-mount solution can be installed with any ceiling type, and Micro Pendant's sleek 1.375" profile integrates beautifully with wood grille ceiling systems.

Suspension options available for every cell size include recessed and surface-mounted junction boxes and conduit, remote and canopy-mounted dimming drivers, and beautifully anodized white, black and silver finishes.



MICRO™ Pendant  
Downlight  
6 Cell

Up to  
12 Cells

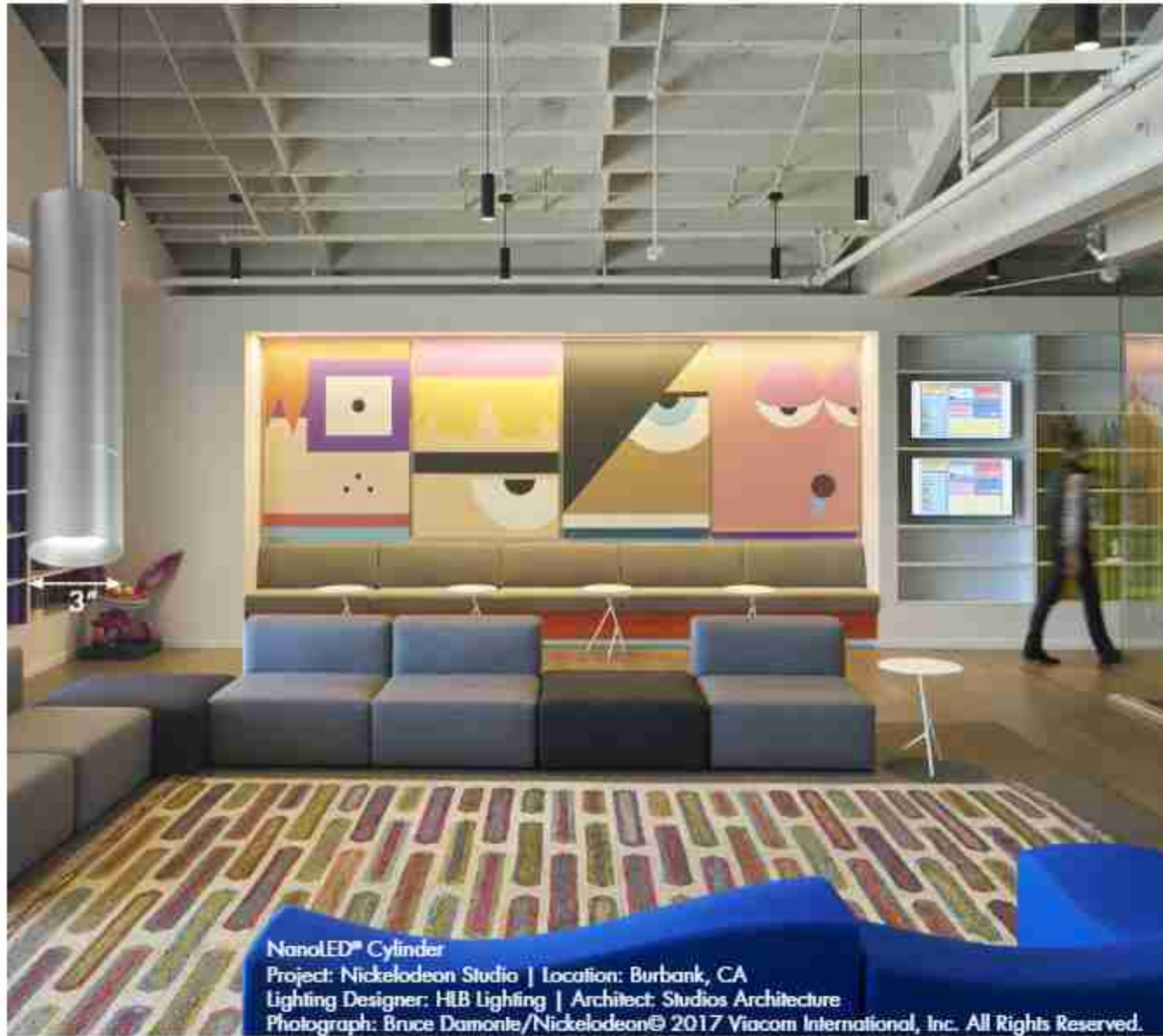
### MICRO™ PENDANT FAMILY INFORMATION

COLOR TECHNOLOGY	FUNCTION	SOURCE LUMENS	DELIVERED LUMENS	WATTAGE
<ul style="list-style-type: none"> <li>CLASSIC WHITE®</li> </ul>	<ul style="list-style-type: none"> <li>DOWNLIGHT</li> <li>WALL WASH</li> </ul>	750 - 4675	500 - 3125	8W - 41W

## NanoLED® Cylinder

Engineered with the same powerful LED technology as our downlight series, NanoLED Cylinders offer a beautiful and slender solution for open or inaccessible ceilings.

NanoLED® Cylinder  
Downlight  
Conduit Cutout with Surface J-Box



NanoLED® Cylinder  
Project: Nickelodeon Studio | Location: Burbank, CA  
Lighting Designer: HLB Lighting | Architect: Studios Architecture  
Photograph: Bruce Damonie/Nickelodeon© 2017 Viacom International, Inc. All Rights Reserved.

### NANOLED® CYLINDER FAMILY INFORMATION

COLOR TECHNOLOGY	FUNCTION	SOURCE LUMENS	DELIVERED LUMENS	WATTAGE
CLASSIC WHITE®	DOWNLIGHT	1100 - 1500	875 - 1175	14W - 20W

## NanoLED® Glow Cylinder

Performance and Elegance with the same powerful LED technology as our downlight series, NanoLED Glow Cylinders offer a sophisticated solution for open and exposed ceilings.

NanoLED® Glow Cylinder  
Downlight  
Conduit Cutout with Surface J-Box



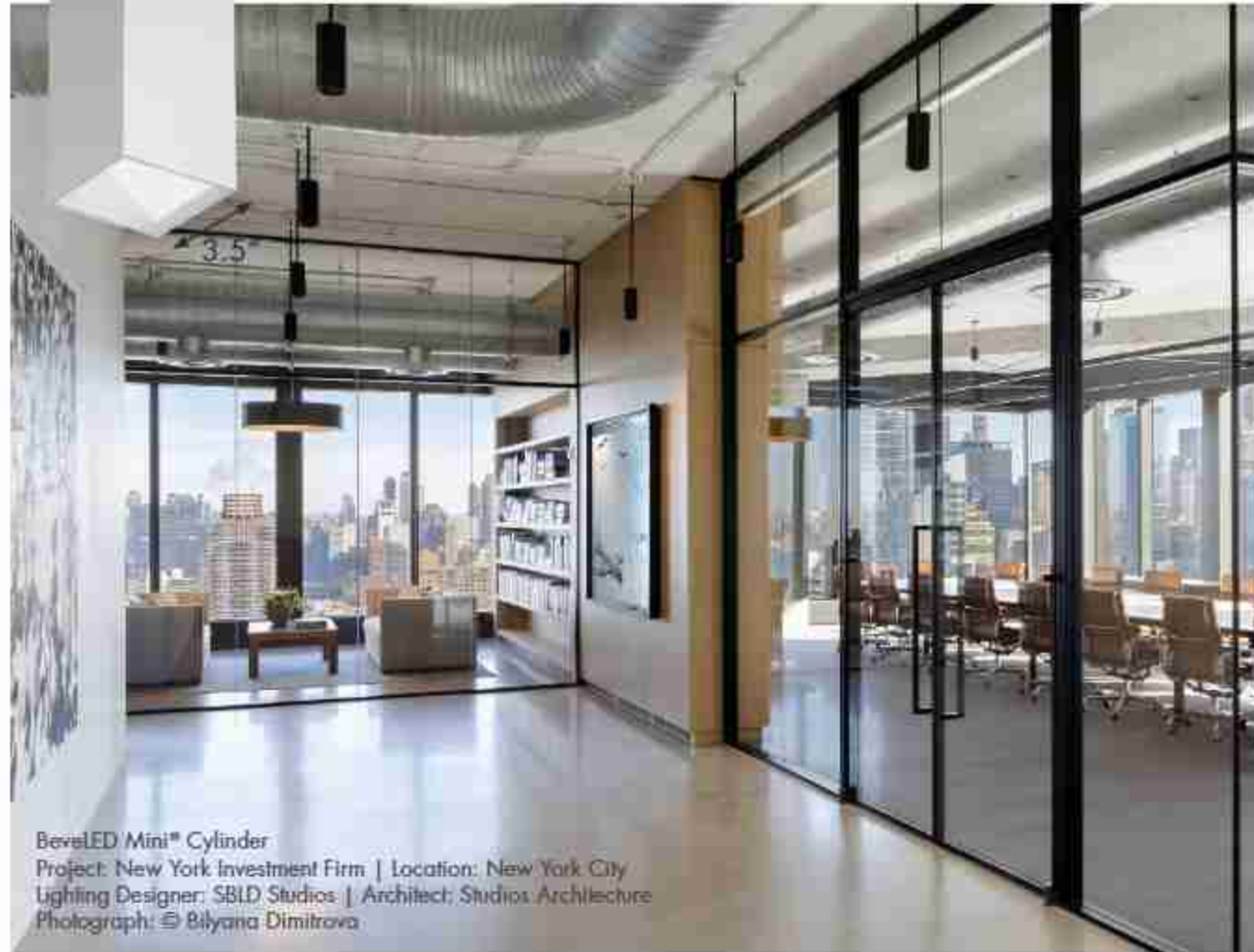
### NANOLED® GLOW CYLINDER FAMILY INFORMATION

COLOR TECHNOLOGY	FUNCTION	SOURCE LUMENS	DELIVERED LUMENS	WATTAGE
CLASSIC WHITE®	DOWNLIGHT	1100 - 1500	850 - 1100	14W - 20W

## BeveLED Mini® Cylinder

USA's celebrated BeveLED Mini product line is now available in a 3.5" round or square architectural cylinder form factor. Offered in a variety of finishes with a powerful lumen package.

BeveLED Mini Cylinder  
Wall Wash  
Conduit Cutout with Surface JBox



BeveLED Mini® Cylinder  
Project: New York Investment Firm | Location: New York City  
Lighting Designer: SBLD Studios | Architect: Studios Architecture  
Photograph: © Bilyana Dimitrova

### BEVELED MINI® CYLINDER FAMILY INFORMATION

COLOR TECHNOLOGY	FUNCTION	SOURCE LUMENS	DELIVERED LUMENS	WATTAGE
CLASSIC WHITE®	DOWNLIGHT	925 - 2475	800 - 202	9W - 20W
WARM GLOW® DIMMING*	ADJUSTABLE			
COLOR SELECT® TUNABLE WHITE*	WALL WASH			
INFINITE COLOR+®				

\*Color Select available only in 10" length and adjustable only available in round styles. Infinite Color+ only available with a remote driver.

## BeveLED® 2.2 Cylinder

Power and beauty are both in play with our sleek architectural cylinders. USA's BeveLED 2.2 Cylinders offer a beautiful, decorative solution with satin nickel and painted finishes while delivering high performance.

BeveLED 2.2 Cylinder  
Wall Wash  
Conduit Cutout with Surface JBox



BeveLED® 2.2 Cylinder  
Project: Hyatt Global Headquarters | Location: Chicago, IL  
Lighting Designer: Schuler Shook | Architect: Gensler | Photograph: Rafael Gamo

### BEVELED® 2.2 CYLINDER FAMILY INFORMATION

COLOR TECHNOLOGY	FUNCTION	SOURCE LUMENS	DELIVERED LUMENS	WATTAGE
CLASSIC WHITE®	DOWNLIGHT	1150 - 4150	650 - 3450	9W - 36W
WARM GLOW® DIMMING*	ADJUSTABLE*			
COLOR SELECT® TUNABLE WHITE*	WALL WASH			
INFINITE COLOR+®				

\*Warm Glow Dimming, Color Select and Infinite Color+ available in downlight configurations only.

# A SOLUTION FOR

# EVERY PROJECT

## Color Technology Legend

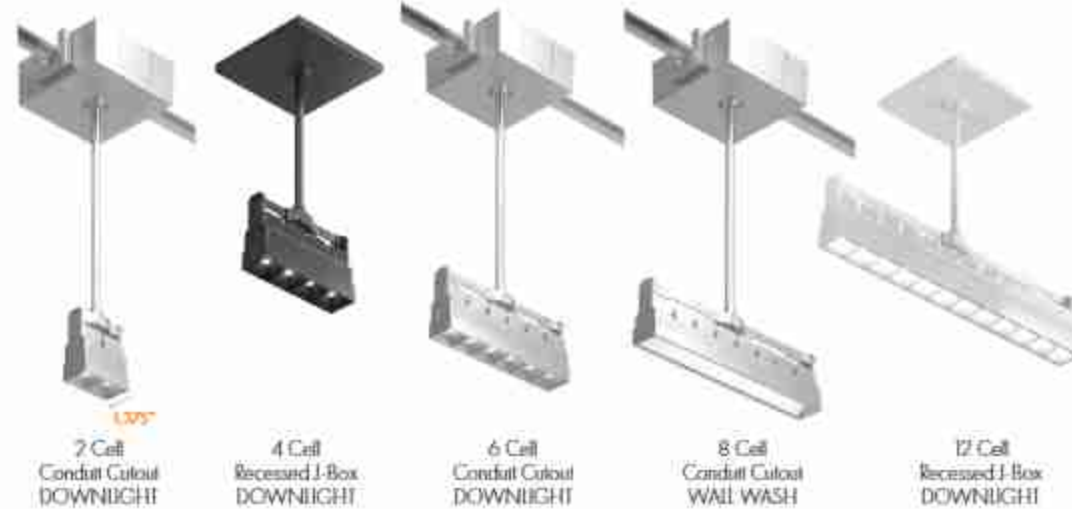
-  CLASSIC WHITE®
-  WARM GLOW® DIMMING
-  COLOR SELECT®
-  INFINITE COLOR+

## Mounting Legend



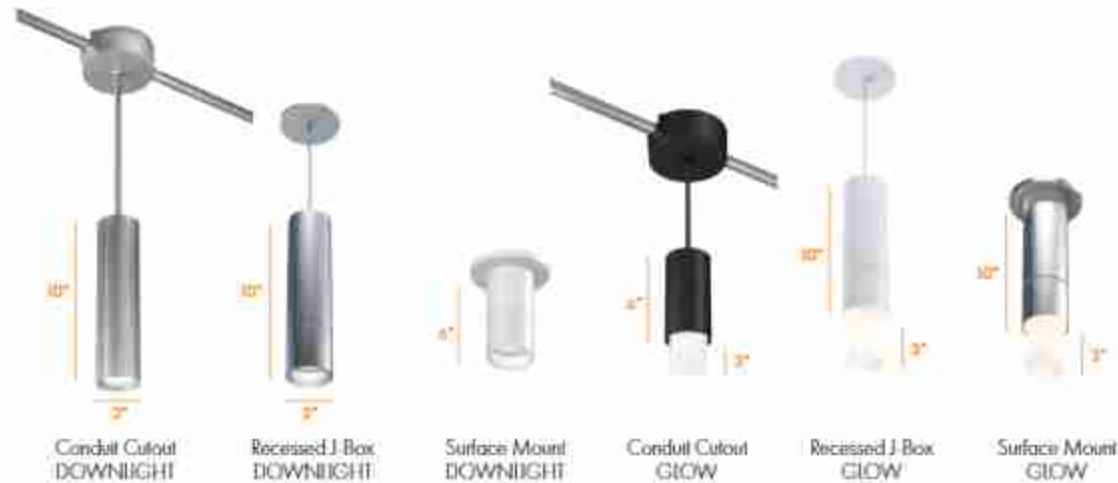
## 1.375" MICRO™ Pendant

- OPTIONS**  
Cells: 2, 4, 6, 8, 12
- Conduit Cutout Canopy  
Recessed J-Box Canopy
- Rigid Stem Pendant
- Downlight  
Wall Wash



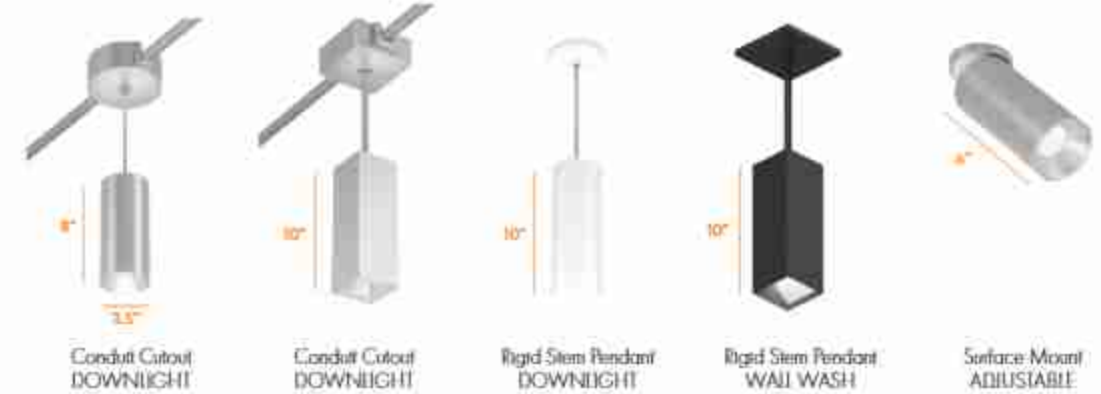
## 3" NanoLED® Cylinder and NanoLED® Glow Cylinder

- OPTIONS**  
Length 6", 10"  
Glass length 2", 3"
- Conduit Cutout Canopy  
Recessed J-Box Canopy
- Surface Mount  
Rigid Stem Pendant  
Cable Suspension
- Downlight



Lengths available throughout product line

## 3.5" BeveLED Mini® Cylinder



- OPTIONS**  
Length 8", 10"  
Adjustable length 6", 8", 10"
- Conduit Cutout Canopy  
Recessed J-Box Canopy
- Surface Mount  
Rigid Stem Pendant  
Cable Suspension
- Downlight  
Wall Wash



Color Select available in 10" length only. Infinite Color+ available with remote drives only

## 5.75" BeveLED BLOCK®



- OPTIONS**  
Length 8", 10"
- Conduit Cutout Canopy  
Recessed J-Box Canopy
- Surface Mount  
Rigid Stem Pendant  
Cable Suspension
- Downlight  
Wall Wash



Warm Glow Dimming available in downlight configurations only

## 6" BeveLED® 2.2 Cylinder



- OPTIONS**  
Length 10", 12"
- Conduit Cutout Canopy  
Recessed J-Box Canopy
- Surface Mount  
Rigid Stem Pendant  
Cable Suspension
- Downlight  
Adjustable  
Wall Wash  
Cross Baffle



Warm Glow Dimming, Color Select and Infinite Color+ available in downlight configurations only

# EXPOSED CEILING CELEBRATED



NanoLED® Cylinder

Project: 2U Headquarters | Lighting Designer: CM Kling | Architect: Gensler | Photograph: © Connie Zhou/OTTO

Cover Photo: BevelLED Mini® Cylinder | Project: New York Investment Firm | Location: New York City  
Lighting Designer: SBLD Studios | Architect: Studios Architecture | Photograph: © Bilyana Dimitrova

## A SOLUTION FOR EVERY PROJECT

**USAI**  
Lighting

CALL, EMAIL, OR VISIT [USAILIGHTING.COM](http://USAILIGHTING.COM) TO LEARN MORE.

**USAI LIGHTING COLLABORATOR**  
13 CROSBY STREET  
NEW YORK, NY 10013  
(845) 234-4090  
[SHOWROOMUSAILIGHTING.COM](http://SHOWROOMUSAILIGHTING.COM)

**USAI LIGHTING HEADQUARTERS**  
1126 RIVER ROAD  
NEW WINDSOR, NY 12553  
(845) 565-8500  
[INFOUSAILIGHTING.COM](http://INFOUSAILIGHTING.COM)

©2019 USAI Lighting. All rights reserved. USAI, BevelLED, BevelLED Mini and NanoLED are registered trademarks of USAI, LLC. All designs protected by copyright. Covered by US Patents 10,443,822; D657,289; D858,855; D864,488. Patents pending. CA-088C